



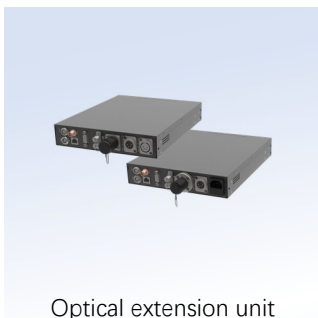
IV4K-4100 equipped a high-performance 1/1.8-inch 4K CMOS and 18x optical zoom lens. With leading image algorithms, it can provide excellent high-quality images for the 4K HDR live production. The 4×3G-SDI can output 4K or 2K format signal.

IV4K-4100 has similar composition and adjustment parameters to EFP/ENG cameras, and can perfectly adapt to the professional broadcasting workflow through various accessories. The aluminum housing is small but durable, to meet the needs of long-term use. It can be installed in vehicle, ships, drones, and small remote platforms to meet news shooting, sports events, and variety shows.

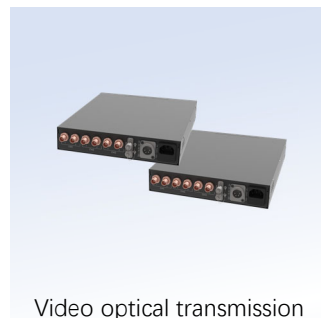
Features

- ◎ The high-performance 4K CMOS image sensor, with leading image algorithms, brings excellent detail performance and picture quality.
- ◎ Powerful image processing technology, providing various adjustment parameters including lens distortion compensation, multi-matrix color adjustment, flare compensation, noise reduction, knee, gamma, detail, flicker correction, etc.
- ◎ The housing is only 80×89×136mm, weighs about 670 grams, and power consumes 13W.
- ◎ The 4×3G-SDI outputs can give 4K (SQD and 2SI) or 2K format signals, support 10bit YUV422 and YUV444 signal, and HDR output (HLG in BT.2020 color gamut).
- ◎ Support multiple combinations of formats and frame rates:
4K: **2160p (YUV422) @ 60/59.94/50**; **2160p (YUV444) @ 30/29.97/25/24/23.98**
HD: **1080p / 1080i @ 60/59.94/50**
- ◎ Support RS232 / RS422 software interface control, support Tri/Bi-level genlock input and LTC timecode. Connect with optional optical extension units to obtain long-distance power supply, remote control, lens driver control and other complete camera control function.

Accessories



Optical extension unit



Video optical transmission



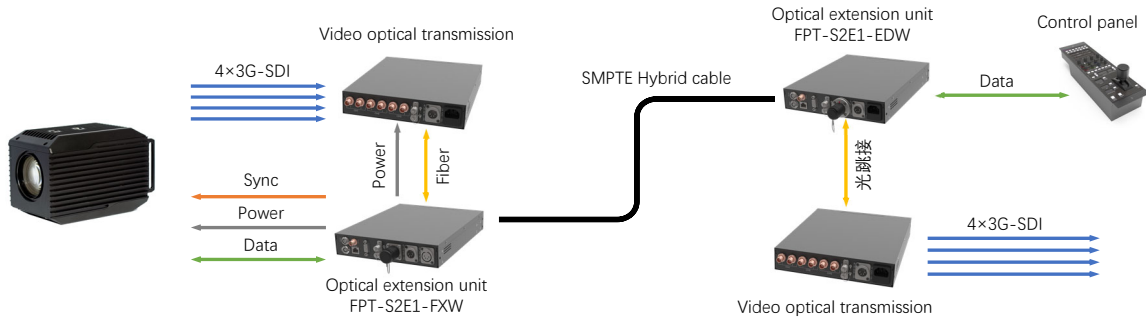
Camera control panel



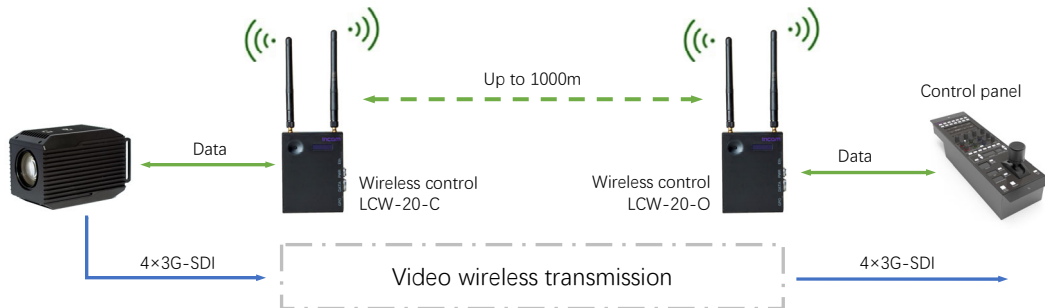
Wireless control unit

System Configurations

讯道应用



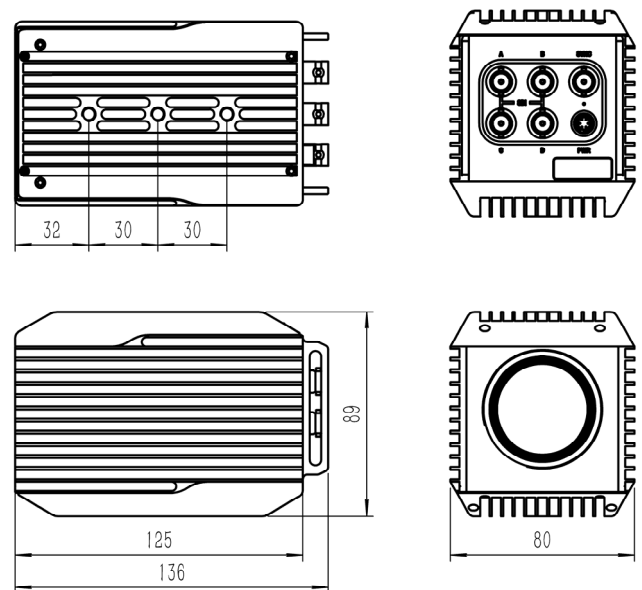
无线应用



Specifications

IV4K-4100	
Size	80×89×136mm
Weight	Approx. 670g
Power	DC 9~15V, 13W@12V
Sensor	1/1.8" 4K CMOS
Resolution	3840×2160
Lens	18× optical zoom, 6.6~120mm
Focus	Auto / Manual
Mount	1/4"×7mm (×6)
Format	3840×2160p, 1080p, 1080i
Frame rate	60/59.94/50/30/29.97/25/24/23.98
Sensitivity	F5.6 @ 2000 lx
Min-illumination	0.7 lx
Shutter	1/23.98s~1/13600s, Auto / Manual
Gain	0~48dB, Auto / Manual
White balance	Auto / Manual / Preset
HDR / WCG	BT.2100 (HLG) / BT.2020
SDI output	HD-BNC (×4)
Genlock	HD-BNC (×1), Tri / Bi-level
Control	8 pn (×1), RS232 / RS422

Dimensions



Design and specifications are subject to change without notice.

INCAM Systems Co., Ltd.

Building B6, North Park, No.315 Xiqing Road, Yangliuqing Town, Xiqing District, Tianjin, China



022-2794 5135



info@incamsys.com



www.incamsys.com