

IV4K-4800 & IV4K-4200 are UHD mini cameras with broadcast quality performance, equipped with 1-inch global shutter and 2/3-inch sequential shutter 4K CMOS sensors. Provide excellent high-quality images for 4K/HDR live production through leading image algorithms. Dual 12G-SDI channels can independently output 4K and 2K signals.

IV4K-4800 & IV4K-4200 have similar composition and adjustment parameters to ENG/EFP cameras, and can perfectly adapt to the professional broadcasting workflow through various accessories. The aluminum housing is small but durable, its good design ensures normal operation up to 60°C.



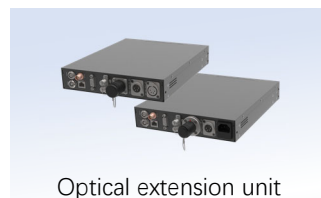
Features

- ◎ The high-performance 4K CMOS image sensor, with leading image algorithms, brings excellent detail performance and picture quality.
- ◎ Powerful image processing technology, providing various adjustment parameters including lens distortion compensation, 32-phases color matrix adjustment, flare compensation, noise reduction, knee, gamma, detail, flicker correction, RGB/YCbCr conversion, etc.
- ◎ The housing is only 36×36×80mm, weighs only 123 grams, and power consumes only 8W.
- ◎ Dual 12G-SDI outputs equipped with independent down-converter and LUT processing, support 10bit YUV422 signal, RAW and HDR output (PQ or HLG in BT.2020 color gamut).
- ◎ Support multiple combinations of formats and frame rates:
4K: **4096x2160p / 3840x2160p** @ 60/59.94/50/48/47.96/30/29.97/25/24/23.98
HD (down conversion mode): **1080p / 1080i** @ 60/59.94/50/30/29.97/25/24/23.98
- ◎ Automatically load the last configuration when power-on, support Tri/Bi-level genlock input and output, with optional optical extension units to obtain long-distance power supply, remote control, lens driver control and other complete camera control function.

Accessories



Lens driver



Optical extension unit



Camera control panel



Video optical transmission



Wireless control unit



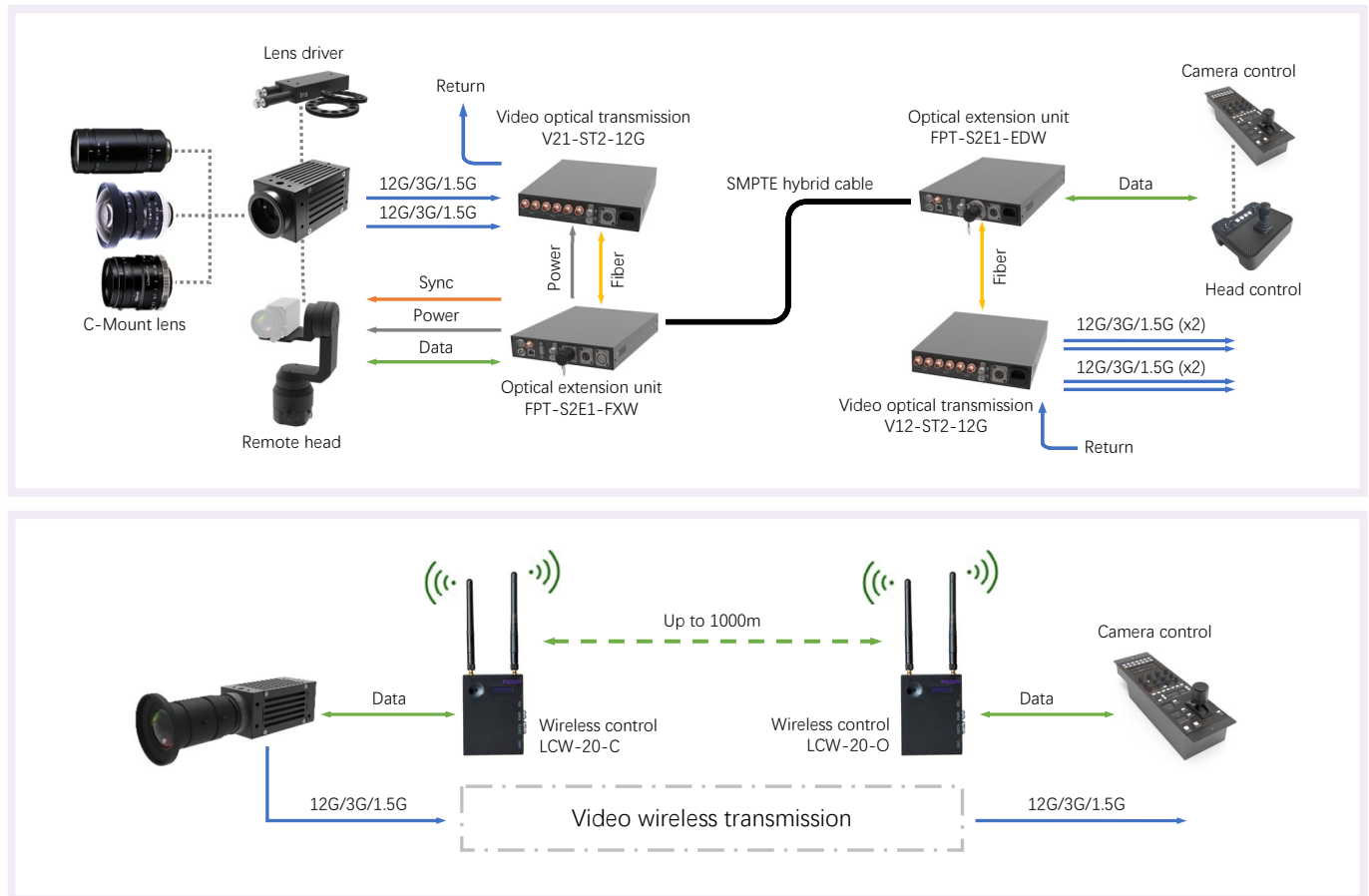
Mini Remote head

IV4K-4800/4200

Dual 12G-SDI UHD Mini Camera

INCAM

System Configuration

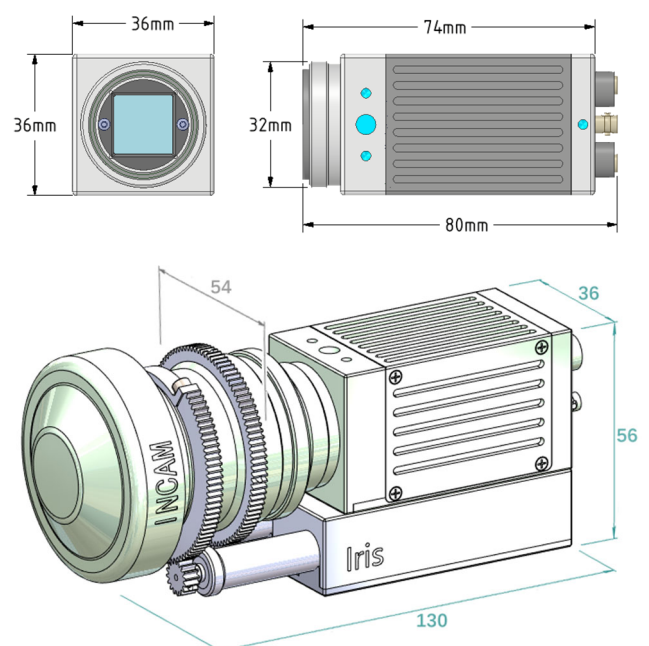


Specifications

	IV4K-4800	IV4K-4200
General	36×36×80mm, 123g (without lens)	
Operation Temp	-20°C ~ +60°C, Active fan cooling	
Power	DC 9~36V, 8W@12V	
CMOS Sensor	1" global shutter	2/3" rolling shutter
Resolution	4096×2160	
Lens mount	C Mount	
Mount points	1/4"×5mm (×2), M3×5mm (×6)	
Format	4096×2160p, 3840×2160p, 1080p, 1080i	
Frame rate	60/59.94/50/48/47.96/30/29.97/25/24/23.98	
Sensitivity	F6.7@2000lx	F8@2000lx
Dynamic	12bit / 72dB	10bit / 57dB
Shutter speed	1/25~1/4000s, Auto / Manual	
Gain	0~24dB, Auto / Manual	
White balance	Auto / Manual / Preset	
SDI output	HD-BNC (×2), 12G/3G/1.5G compatible	
Genlock	HD-BNC (×1), BB / Tri-level	
Control	6芯 (×1), RS422 / RS485	
AUX	6芯 (×1), lens control	

Design and specifications are subject to change without notice.

Dimensions



IV4K-4800 equipped with 6mm wide-angle lens and lens driver

INCAM Systems Co., Ltd.

Building B6, North Park, No.315 Xiqing Road, Yangliuqing Town, Xiqing District, Tianjin, China