



4K
8K

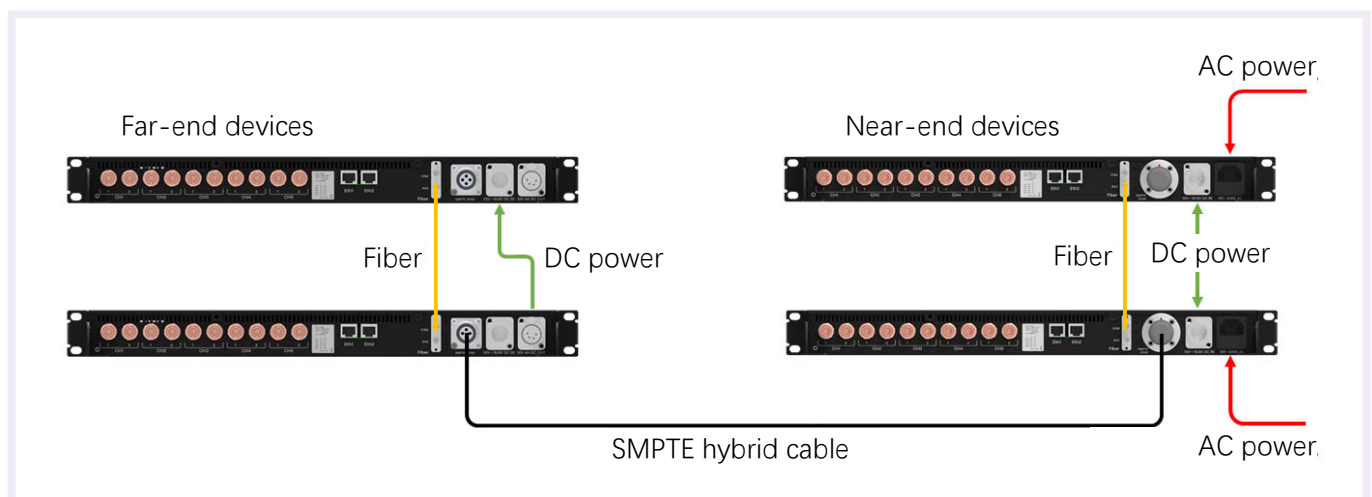
V50E2 provides 5 independent 12G-SDI compatible video transmission channels and 2 Gigabit Ethernet. The device can be connected by ordinary single-mode fiber or SMPTE hybrid cable, and can feed power to far-end device via SMPTE hybrid cable.

Two V50E2 devices can be used in combination mode, which allows two far-end devices to be powered via single SMPTE hybrid cable, and provide up to 10 independent 12G-SDI compatible video transmission channels. V50E2 can be customized with different input / output combinations, and also provides an AUX optical channel which supports other third-party L-Band optical transmission equipment to extend the connection.

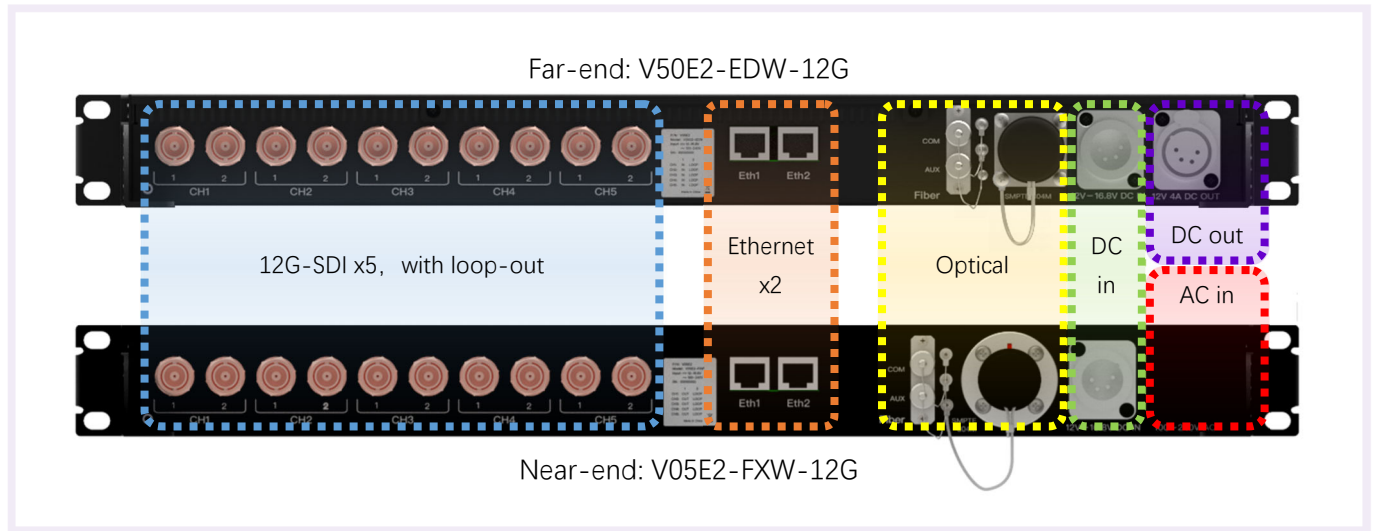
Features

- ◎ Typical transmission distance up to 10km when connected by single-mode fiber, and when connected by SMPTE cable, the distance of power to far-end unit can be up to 1km
- ◎ All models are equipped with redundant DC input, and far-end units have DC output
- ◎ The video signal meets the requirements of broadcast-level production, all inputs and outputs are equipped with loop-out, re-clocking and cable equalization processing, the signal pass the Pathological test
- ◎ The combination mode provides up to 10 video channel and 4 Gigabit Ethernet, all signals can be transmitted via single SMPTE hybrid cable, and DC power supplied to far-end devices at the same time
- ◎ 2 Gigabit Ethernet connectors adopt adaptive switching RJ45 interface, supports 10M to 1000M bandwidth and IP audio (AES67, Dante, etc.) transmits, serial Tally and other data

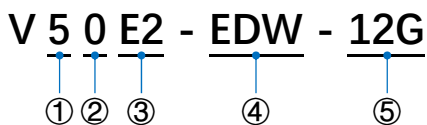
System Configuration



Rear Panel



Model Instruction



- ① Number of input channel: 0 to 5
- ② Number of output channel: 5 to 0
The total number of input and output is not more than 5
- ③ Ethernet channel: E2, RJ45 connector × 2
- ④ Optical connector: EDW / FXW, LC / ST
- ⑤ Compatible video format: 3G or 12G

Technical Specifications

General	
Dimension	483mm×45mm×273mm
Weight	Approx. 4.5kg
Power consumption	AC 100-240V, DC 9-16.8V, 30W (Max.)
DC output	DC 12-16.8V, 48W (via SMPTE cable)
Operating temperature	0°C to +40°C
Operating humidity	20% to 80%
Ethernet	RJ45 (×2), 1000BASE-TX
Optical	
Connectors	SMPTE 304M (×1), LC/ST (×2)
Spectrum	1310nm到1610nm
Transmit power	3dBm@11.88Gb/s, -5dBm@2.97Gb/s
Receive sensitivity	-14dBm@11.88Gb/s, -15dBm@2.97Gb/s
Transmission distance	10km (Typical)

Video		
	12G-SDI	3G-SDI
Connectors	BNC (×10), 5 channel with loop-out and re-clock	
Format	SMPTE ST 2082-1 SMPTE ST 2081-1	SMPTE 425M A/B SMPTE 292M SMPTE 259M
Impedance	75Ω	
Amplitude	821mV	820mV
DC offset	0V±10mV	
Rising time	38ps	56ps
Falling time	37ps	52ps
Jitter Timing	0.58UI	0.12UI
Jitter Align	0.10UI	0.05UI
Cable EQ	50m, Belden 4794R	100m, Belden 1694A

Design and specification are subject to change without notice.